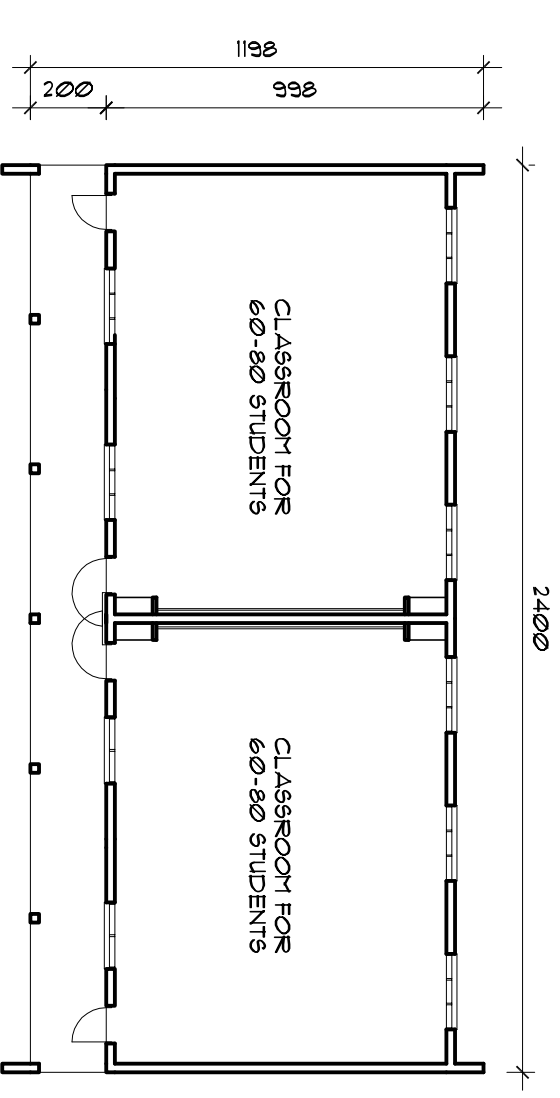
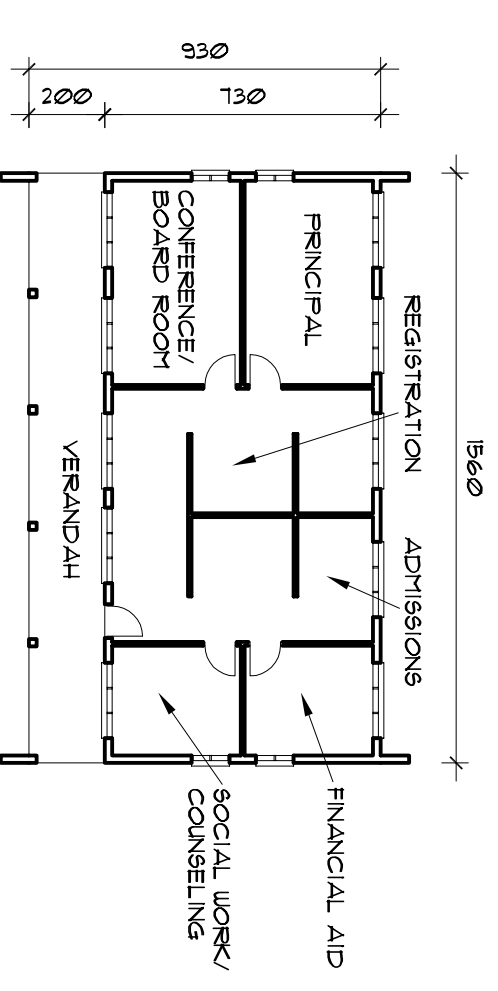


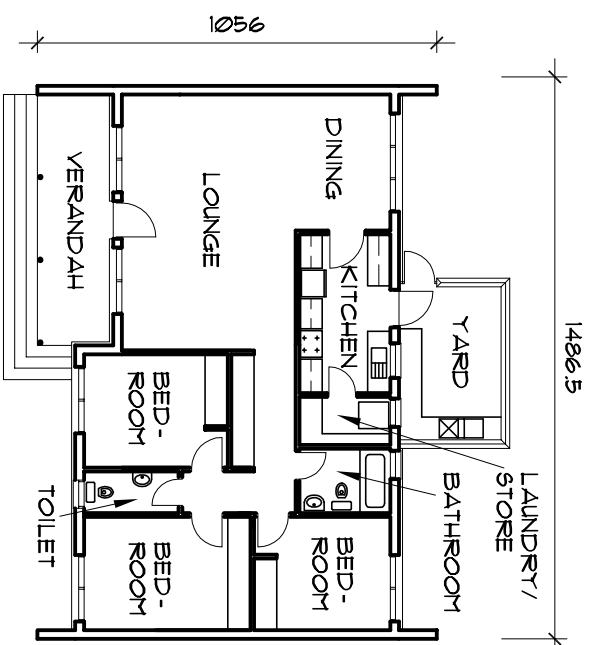
ULTIMATE LIBRARY & MEDIA CENTER GROUND FLOOR PLAN
SCALE 1:200



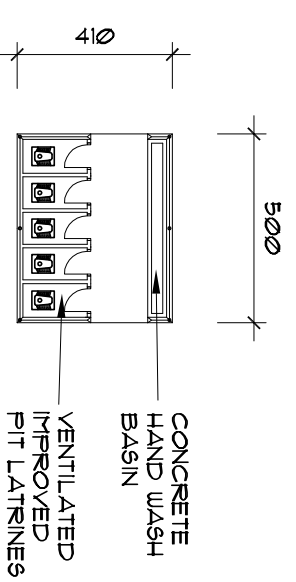
PHASE I CLASSROOMS
GROUND FLOOR PLAN
SCALE 1:200



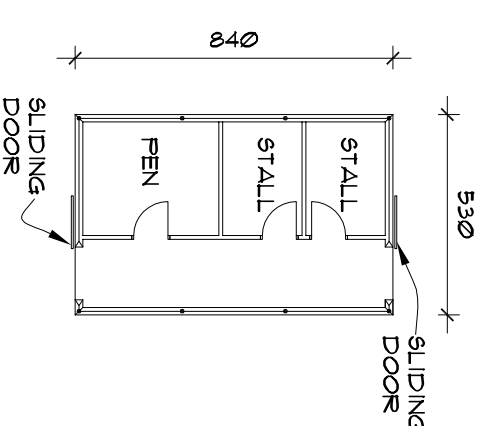
PHASE I ADMINISTRATION
GROUND FLOOR PLAN
SCALE 1:200



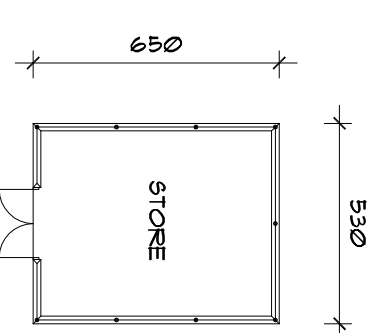
TYPICAL 3 BEDROOM
STAFF HOUSE
GROUND FLOOR PLAN
SCALE 1:200



STUDENT & STAFF
V.I.P. LATRINES/
LAVATORIES:
GROUND FLOOR PLAN
SCALE 1:200



PHASE I ANIMAL BARN
GROUND FLOOR PLAN
SCALE 1:200



PHASE I TOOLS
& SUPPLIES STORE
GROUND FLOOR PLAN
SCALE 1:200